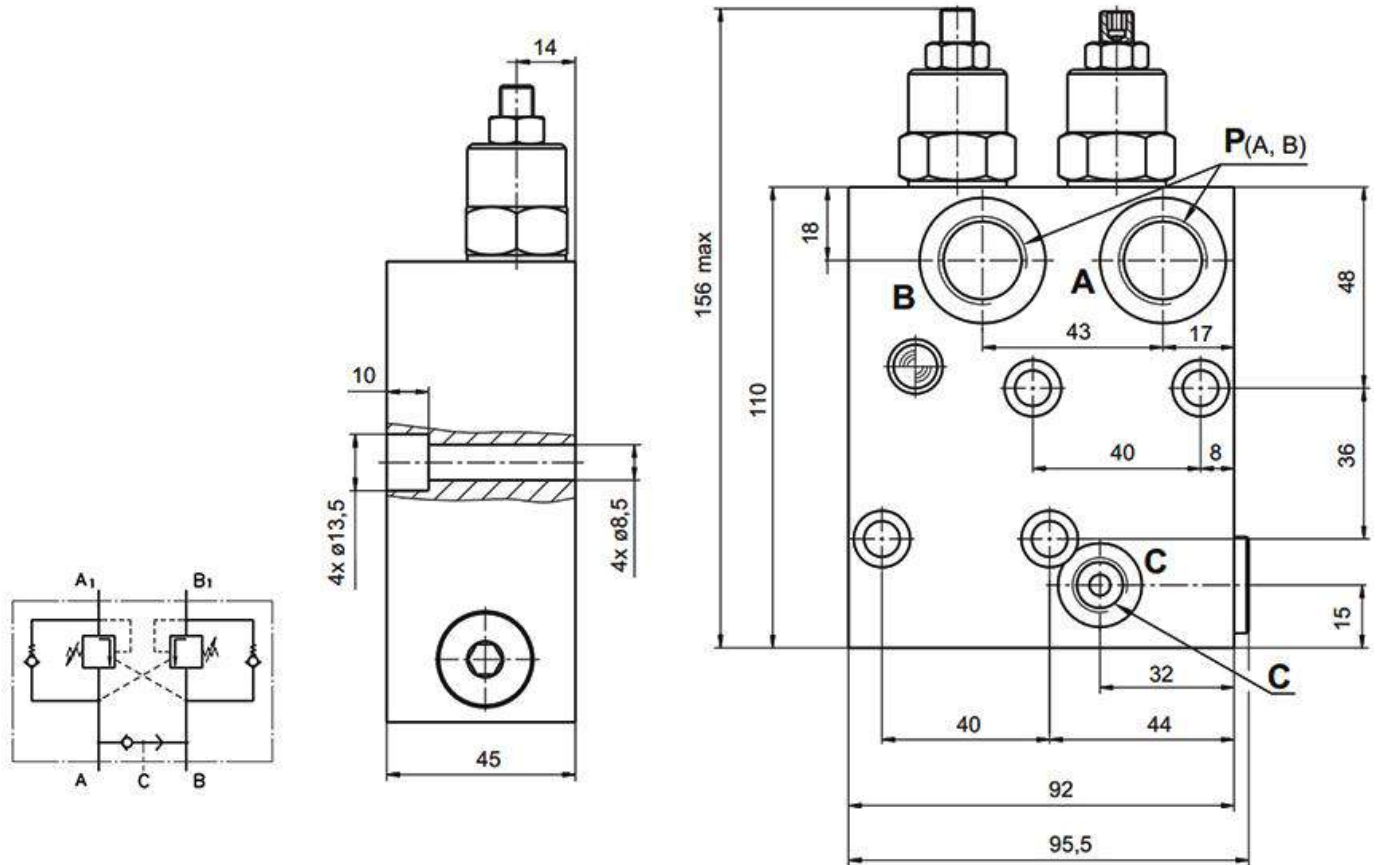


13170

[mm]



Šifra / Code	Navoj priključka P (a,b) / Thread ports P (a,b)	Navoj priključka C / Thread ports C	Pretok / Flow [l/min]	Max. tlak / Max. Pressure [bar]
13170	1/2"	1/4"	60	280